

Microbiology Testing



Microbiological quality control is a routine work for pharmaceutical, food and beverage industries. Cobetter offers sterile MCE gridded membrane filters, filtration units and stainless steel manifold for your microbiological testing.

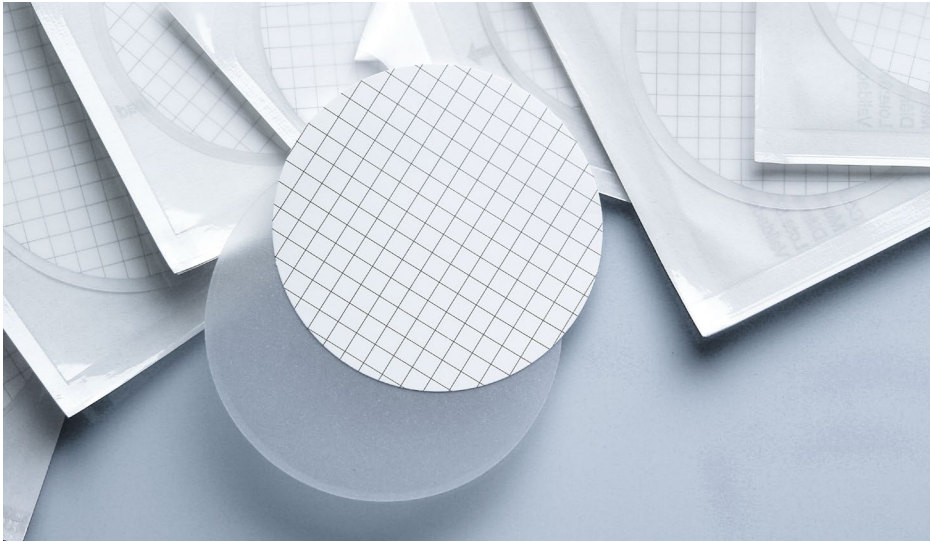
Cobetter MCE (mixed cellulose ester) contain a mixture of cellulose nitrate and cellulose acetate, which assures effective retention combined with high flow rates and optimal colony growth. White and black filter colors allow the best possible contrast to the colonies for easy and reliable quantification and identification.

Applications

- Microbial Enumeration
- Bioburden testing of pharmaceutical and cosmetic products
- Bacterial analysis of water and beverages

Sterile MCE Gridded Membrane Filter

White with Black Grid, Single Packed



Features

- High flow rate
- Optimal colony growth
- Gridded or non-gridded available
- Various pore sizes
- Sterile individually packed and ready to use



Specifications

Pore Size	0.22µm	0.45µm
Filter Diameter	47/50mm	47/50mm
Material	MCE	MCE
Color	white with black grid	white with black grid
Grid Size	3*3mm	3*3mm
Thickness	130±50µm	130±50µm
Bubbling Point(kPa)	≥300	≥180
Bacterial retention capacity	LRV>7	LRV>7
Bacterial recovery rate	≥80%	≥80%
Sterilization	Sterile by Gamma Irradiation, 25kGray	
Maximum Operating Temp.	Max 130℃	
pH Range	4.0-8.0	
Porosity	>50%	

Ordering Information

Part No.	Membrane	Diameter	Pore Size	Package	Qty/pk(pcs)
MBWGM-2247S	MCE, white with black grid	47mm	0.22µm	Individually packed	100
MBWGM-4547S	MCE, white with black grid	47mm	0.45µm	Individually packed	100
MBWGM-2250S	MCE, white with black grid	50mm	0.22µm	Individually packed	100
MBWGM-4550S	MCE, white with black grid	50mm	0.45µm	Individually packed	100
MBMCE-2247S	MCE, white membrane	47mm	0.22µm	Individually packed	100
MBMCE-4547S	MCE, white membrane	47mm	0.45µm	Individually packed	100
MBMCE-2250S	MCE, white membrane	50mm	0.22µm	Individually packed	100
MBMCE-4550S	MCE, white membrane	50mm	0.45µm	Individually packed	100
MBWGM-2247	MCE, white with black grid	47mm	0.22µm	Non-sterile	50
MBWGM-4547	MCE, white with black grid	47mm	0.45µm	Non-sterile	50
MBWGM-2250	MCE, white with black grid	50mm	0.22µm	Non-sterile	50
MBWGM-4550	MCE, white with black grid	50mm	0.45µm	Non-sterile	50

Sterile MCE Gridded Membrane Filter

Black with White Grid, Single Packed

Features

- Special for microbiological analysis of light-colored or transparent bacteria.
- Various pore sizes
- Optimal colony growth
- Sterile individually packed and ready to use



Specifications

Pore Size	0.22µm	0.45µm
Filter Diameter	47mm	47mm
Material	MCE	MCE
Color	black with white grid	black with white grid
Grid Size	3*3mm	3*3mm
Thickness	130±50µm	130±50µm
Bubbling Point(kPa)	≥300	≥180
Bacterial retention capacity	LRV >7	LRV >7
Bacterial recovery rate	≥80%	≥80%
Sterilization	Sterile by Gamma Irradiation, 25kGray	
Maximum Operating Temp.	Max 130 °C	
pH Range	4.0-8.0	
Porosity	>50%	

Ordering Information

Part No.	Membrane	Diameter	Pore Size	Package	Qty/pk(pcs)
MBLGM-2247S	MCE, black with white grid	47mm	0.22µm	Individually packed	100
MBLGM-4547S	MCE, black with white grid	47mm	0.45µm	Individually packed	100

Dispenser-Ready Sterile MCE Membrane Filter & Dispenser



Features

- Various pore sizes
- White and black membrane filters
- Individually sterile-sealed filters are packed on a special pleated band
- Compatible with a variety of membrane dispensers
- Batch number, Part number, etc printed on each membrane package for easy traceability

Specifications

Please refer to: Sterile Gridded Membrane Filter (MCE, white with black grid/black with white grid, Individually packaged)

Ordering Information

Part No.	Membrane	Diameter	Pore Size	Package	Qty/pk(pcs)
MBWGM-2247SC	MCE, white with black grid	47mm	0.22µm	Packed on a pleated band	150
MBWGM-4547SC	MCE, white with black grid	47mm	0.45µm	Packed on a pleated band	150
MBLGM-2247SC	MCE, black with white grid	47mm	0.22µm	Packed on a pleated band	150
MBLGM-4547SC	MCE, black with white grid	47mm	0.45µm	Packed on a pleated band	150
MD01AU	UniFit Automatic Membrane Dispenser	/	/		1

All-in-one Filtration Units



An all-in-one sterile and ready-to-use filter consists of a funnel, a gridded membrane and a base support in one unit. Click-fit closure, easy to use. From taking the sample until incubation in just a few easy steps, minimizing the risk of secondary contamination. They have been specifically designed for the detection of microorganisms in pharmaceuticals, food, beverages, water and other liquids.

Features

- Sterile single-use filtration unit
- Membrane pore sizes available: 0.22/0.45µm
- Filter unit capacity available: 100/250ml
- Clear scale: Transparent design makes the entire filtering process clearly visible
- Simplified operation: No need to clamp and transfer the filter membrane, reducing the risk of contamination

Specifications

Material	Funnel: Polypropylene Base: Polypropylene
Membrane	Gridded MCE
Capacity	100mL (graduated marks at 20, 50 and 100mL) 250mL(graduated marks at 50 100, 200 and 250mL)
Filter Diameter	47mm
Filtration Area	13.2 cm ²
Sterilization	Gamma Irradiation

Ordering Information

Part No.	Membrane	Pore Size	Volume	Package	Qty/pk(pcs)
A47V-GMC0022100	MCE, white with black grid	0.22µm	100mL	Stacked and bagged	5
A47V-GMC0045100	MCE, white with black grid	0.45µm	100mL	Stacked and bagged	5
A47V-GMC0022250	MCE, white with black grid	0.22µm	250mL	Stacked and bagged	5
A47V-GMC0045250	MCE, white with black grid	0.45µm	250mL	Stacked and bagged	5

Filter Funnels



For the detection of microorganisms in pharmaceuticals, food, beverages, water and other liquids. Must be used with a MCE gridded membrane and a base support, which can be sterilized and used repeatedly.

Features

- Sterile single-use filter funnel
- Funnel capacity available: 100/250ml
- Clear scale: Transparent design makes the entire filtering process clearly visible
- Large inner diameter allows high flow rates
- High sample throughputs during routine testing

Ordering Information

Part No.	Volume	Package	Qty/pk(pcs)
A47U-100	100mL	Stacked and bagged	10
A47U-250	250mL	Stacked and bagged	10

S58 Microbiology Filter Unit



The all-in-one sterile and ready-to-use filter units consist of a funnel, a white gridded MCE membrane with a petri dish. After the sample is filtered, remove the upper funnel and the base can convert into a petri dish. Every filter unit is individually packaged and ready for use. It is easy to operate and minimizes the risk of secondary contamination.

Specifications

Material	Funnel: Polypropylene
	Base: Polypropylene
	Cap: PETG
Membrane	Gridded MCE
Capacity	100mL/250mL
Filter Diameter	50mm
Filtration Area	19.6 cm ²
Sterilization	Gamma Irradiation

Ordering Information

Part No.	Membrane	Pore Size	Volume	Package	Qty/pk(pcs)
S58-WGMCE0045P	MCE, white with black grid	0.45µm	100mL	Sterile in bags	5
S58-PVDF0045P	PVDF, white with black grid	0.45µm	100mL	Sterile in bags	5

Stainless Steel Manifold



The manifold is made of 100% high quality stainless steel that is easy to sterilize and clean. There is no need for disassembly, just place the manifold into the autoclave device and set the temperature at 121°C for 30 minutes for sterilization. To secure the filter adapters, simply push them into the manifold and choose your preferred positions from the 3 or 5 available working positions.

Features

- 100% Stainless steel manifold, fully autoclavable and easy to clean without disassembly
- Three-way valves allow individual control of the vacuum for each filter holder
- Use with Cobetter A47, A4U series filter units or funnels

Specifications

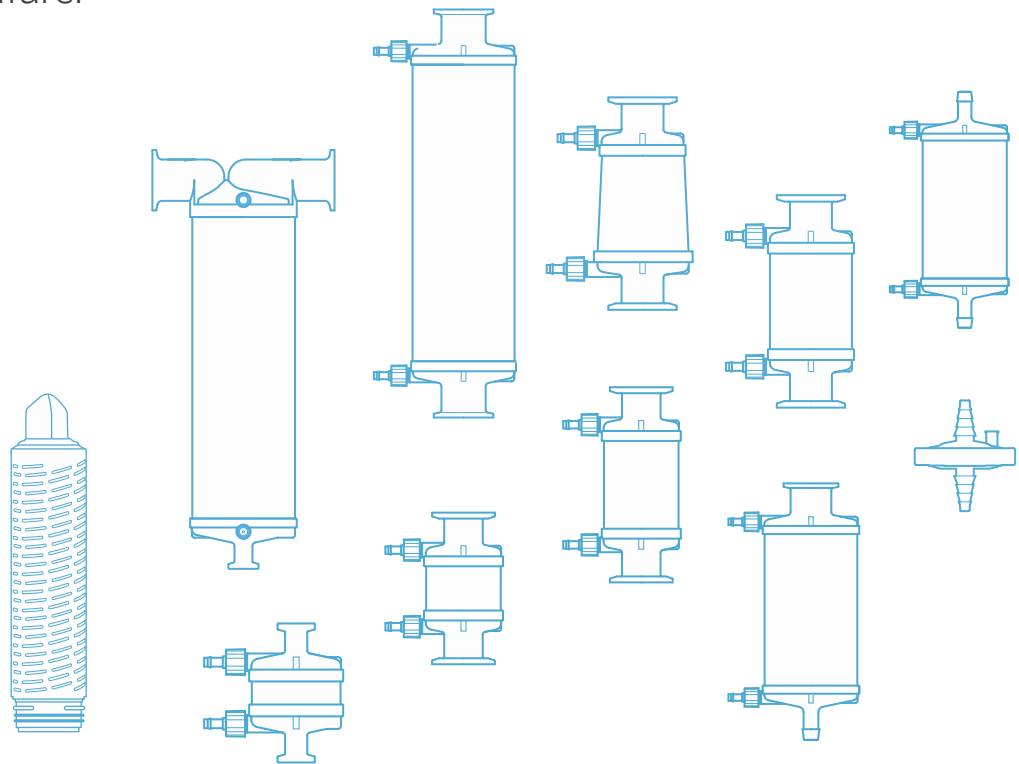
	3 Branches	5 Branches
Material	Stainless Steel 316L	Stainless Steel 316L
Dimensions(L x H x W)	474 x 120 x 98 mm	924 x 120 x 98 mm
Weight	0.725 kg	1.400 kg
Sterilization	Autoclave 121°C, 30 min	Autoclave 121°C, 30 min

Ordering Information

Part No.	Description	Package
M301SS	3 branch manifold	1

Our Mission

Through innovative, cost-efficient, and sustainable filtration solutions, we help our customers enhance human and animal welfare.



Hangzhou Cobetter Filtration Equipment Co.,Ltd.

Sales Add 13-18 F, Building 1, Zicheng International Innovation Center,
No.39 Jincheng Road, Xiaoshan District, Hangzhou 311215, China

Factory Cobetter Park, Heshang New Material Industrial Park,
Xiaoshan District, Hangzhou 311265, China

Tel +86 571 87704359

Fax +86 571-87704256

eShop www.cobetter.com